



INDOOR / OUTDOOR DIMMABLE POWER SUPPLY SERIES

LMPS 100S - DM - 24VDC

INDOOR / OUTDOOR SERIES

Transformer

Dimmable with any LV magnetic dimmer as long as you cover dimmer's min load.

Temperature class B(130°C)

Input leads are 18AWG 600V

Output leads are 18AWG 300V

Leads max. operational temperature is 105°C

Thermal self reset primary breaker 200A

Thermal self reset secondary breaker 400A

Housing

The actual transformer 96W is encapsulated in the enclosure

The enclosure is Black Powder Coated Steel, NEMA 3R rated

Wiring compartment has 5 knockouts sizes for 3/8 inch screw cable connectors

Enclosure Temperature does not exceed 75°C at 45°C ambient and fully loaded

Dimensions (inch): H = 813, W = 393, D = 159

Weight (LBs): 4

Electrical Parameters

Input Voltage: **120V 60Hz**

Max. input current at full load: **1.1A**

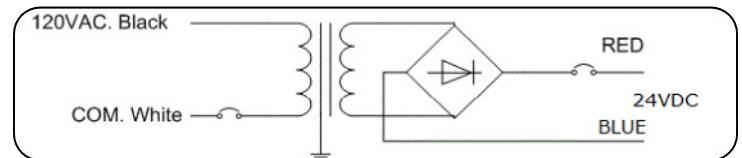
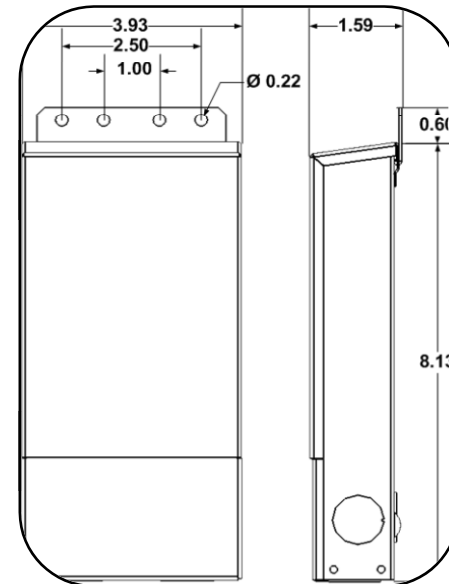
Output voltage without load: **23.6VDC**

Output voltage fully loaded: **21.6VDC**

Max. Total Wattage: **96W**

Max. Output Current: **4A**

Efficiency: **85%**



LMPS100S - DM - INDOOR / OUTDOOR DIMMABLE POWER SUPPLY SERIES				
PART #	MODEL	WATTS	INPUT VOLTAGE	BREAKERS
7000 - PS - 4430	LMPS100S12VDC - DM - OD	100W	12 VDC	Primary & Secondary
7000 - PS - 4431	LMPS100S24VDC - DM - OD	100W	24 VDC	Primary & Secondary