



Amplifier AMP 650 – 1100



20725 NE. 16 AVE. #A-33
MIAMI, FLORIDA 33179

TEL: (305) 652-2599

FAX: (305) 650-8812

WWW.LUMIRON.COM

EMAIL:SALES@LUMIRON.COM

Parameter

Amplifier

Part No.	Input Voltage	Current	Output	Remarks
AMP 650 - 1100	12 – 36VDC	4X8A	4X(96 – 288)W	Constant Voltage

Wireless RF Remote

Part No.	Operation Voltage	Operation Frequency	Dimensions (mm)	Remarks
DIM 700 – 1001	3.6 VDC	434 MHz / 868 MHz	48X140X16	Load 3 pcs 7 AAA (1.5V) batteries

RF Receiver

Part No.	Input Voltage	Current	Output	Remarks
RCV 600 – RF - 1000	12 – 36VDC	4X8A	4X(96 – 288)W	Constant Voltage

Wiring Diagram

Diagram 1

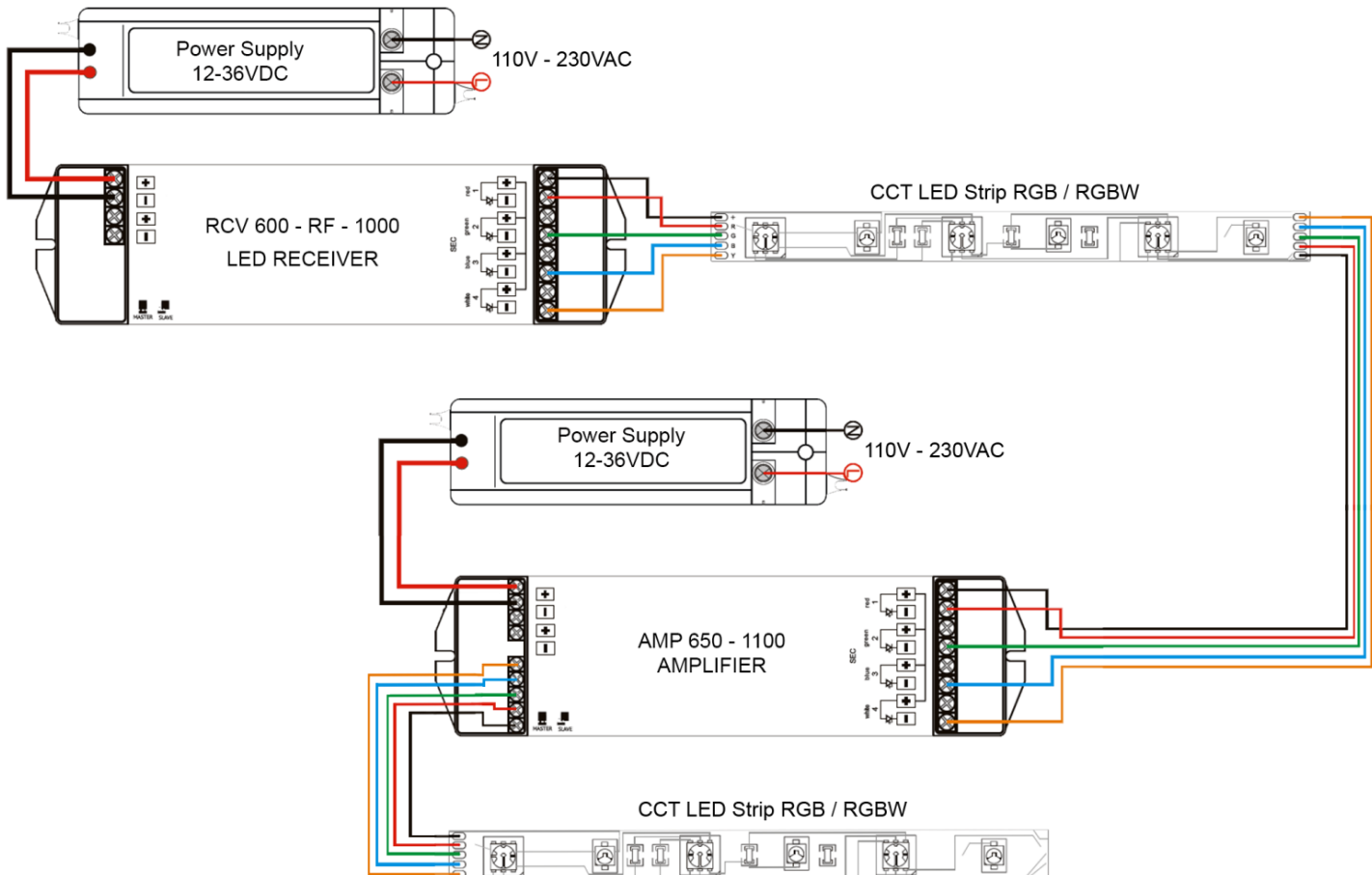
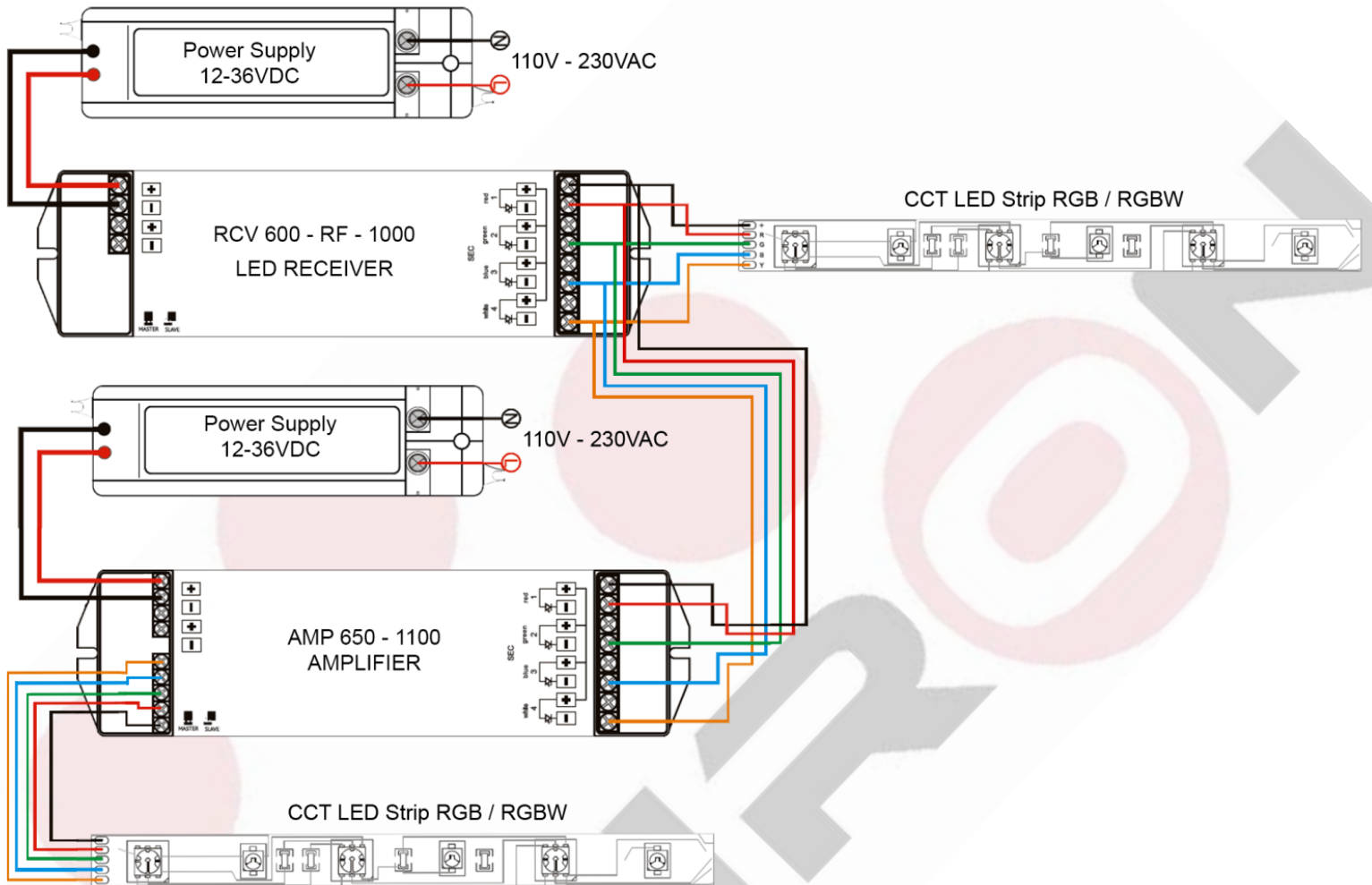
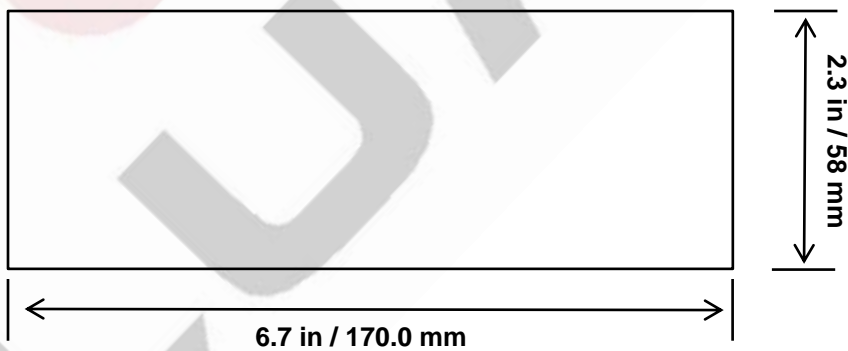


Diagram 2

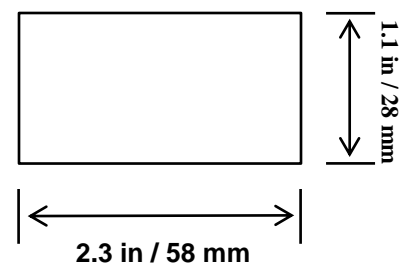


Product Size

Top View



Front View



Pictures

Amplifier



Receiver



