



Made in USA



LUMIRON

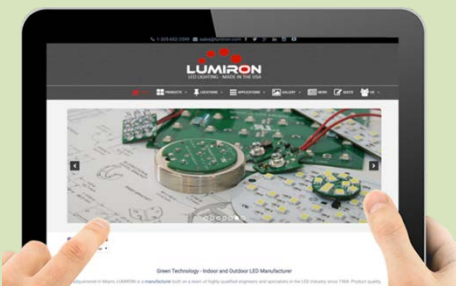
LED LIGHTING

“ DMR 3004 PB FOUR ZONES WIRELESS DIMMER RECEIVER Two Colors Dimmer / 4 Zones / 3 Options to save ”

20725 NE. 16 AVE. #A-33
MIAMI, FLORIDA 33179

Tel: (305) 652-2599
Fax: (305) 650-8812

www.lumiron.com
Email: sales@lumiron.com



Benefits and Features

DIMKP 700 – 1002 remote controller has 4 different zones. The remote controller can save up to 2 colors/ 3 modes corresponding to each different zone. The color wheel on the controller allows the user to choose the color of their choice.

Specifications

Wireless RF Remote

Part No.	Operation Voltage	Operation Frequency	Dimensions (mm)	Remarks
DIMKP 700 - 1002	3.6 VDC	434 MHz / 868 MHz	48 X 140 X 16	Load 3 pcs 7 AAA (1.5V) batteries

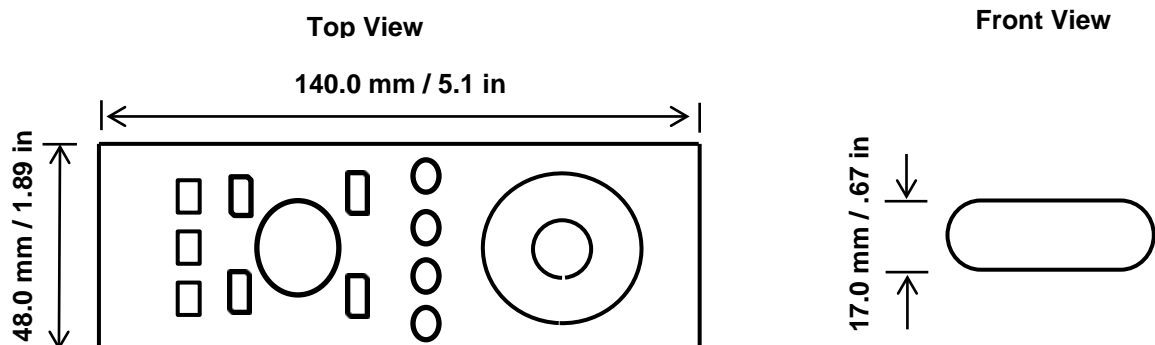
RF Receiver

Part No.	Input Voltage	Current	Output	Type
RCV 600 – RF – 1000	12 – 36 VDC	4 X 8 AMP	12 Volt – 4 X 96W	Constant Voltage
			24 Volt – 4 X 192W	
			36 Volt – 4 X 288W	

Amplifier

Part No.	Input Voltage	Current	Output	Type
AMP 650 - 1100	12 – 36 VDC	4 X 8 AMP	12 Volt – 4 X 96W	Constant Voltage
			24 Volt – 4 X 192W	
			36 Volt – 4 X 288W	

Product Size



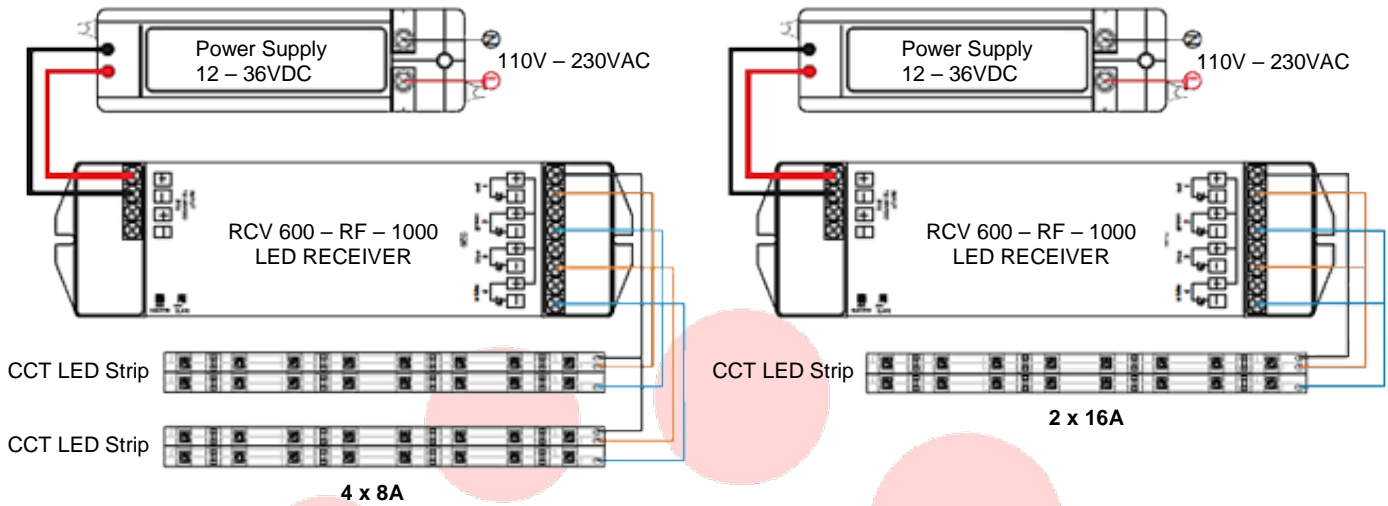
Brief introduction of buttons

Wireless RF Keypad Controller

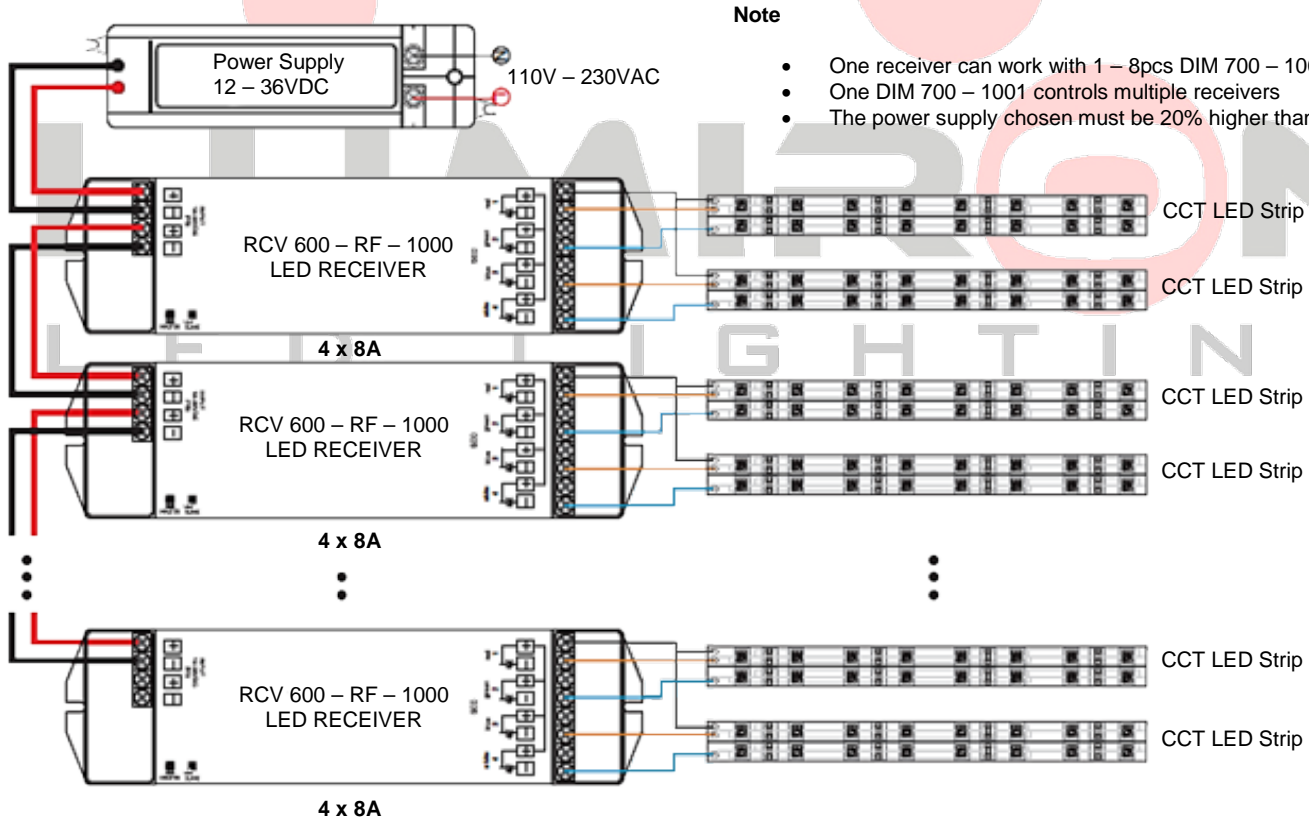


Wiring Diagram

1) Receiver Connection Diagram for Single Unit



2) Receiver Connection Diagram for Multiple Units



Note

- One receiver can work with 1 – 8pcs DIM 700 – 1001
- One DIM 700 – 1001 controls multiple receivers
- The power supply chosen must be 20% higher than the actual load

Operation

Learning (matching)

- Do writing according to connection diagram
- Wake up the remote control by touching ON/OFF button.
- Press learning button on receiver.
- Touch any zone button on remote control.
- Then touch color wheel.
- Connected LED light will blink to confirm zone designation.
- Press at learning button on receiver over 5 seconds until LED light flash, then delete the learned ID.

Note: Each remote control 4 zones (areas) receivers, each area can be learned as many receivers as we can.

Each receiver maximally can be controlled by 8 different remote controls.

Color Temperature wheel

Choose zone number
choose the color
corresponding color



for example 1 and 3 then touch the color wheel, temperature you want, zone one and three will indicate temperature as we touched.

Brightness down or up button

Long press the center of the color wheel to adjust the brightness up or down.

Short press the buttons around the power button in order to adjust the brightness to 25%, 50%, 75% or 100%.

Save and recall button

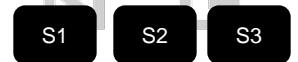
A, Save Color temperature



Press any zone button you want



Adjust the color temperature and



Long press one save button or 2-3 seconds



LED lighting flash twice indicate save successful

B. Recal



Select zone button which we want recall from



Short press save button

Safety & Warnings

- The product shall be installed and serviced by a qualified person.
- IP20. Please avoid the sun and rain. When installed outdoors, please ensure it is mounted in a water proof enclosure.
- Always be sure to mount this unit in an area with proper ventilation to avoid overheating.
- Please check if the output voltages of any LED power supplies used comply with the working voltage of the product.
- Never connect any cables while power is on and always assure correct connections to avoid short circuits before switching on.
- Please ensure that the cable is secured tightly in the connector.
- For update information please consult your supplier.

RCV 600 – RF – 1000 Pictures





AMP 650 – 1100 Pictures

