



CASPER SC Series

TRX 100C BUILT IN MOTION SENSOR

LUMIRON

LED LIGHTING

The new CASPER TRX 100C MOTION SENSOR SERIES Lighting is a great product to improve the lighting experience for your future Cove and Architectural work, Jewelry Showcases, Museum Lighting, and Marine Lighting. The product contains 18 LED's with single color glamor that create an exceptional view for the eye. Along with a finger touch dimmable capability, with a built in dimmer.



Specifications

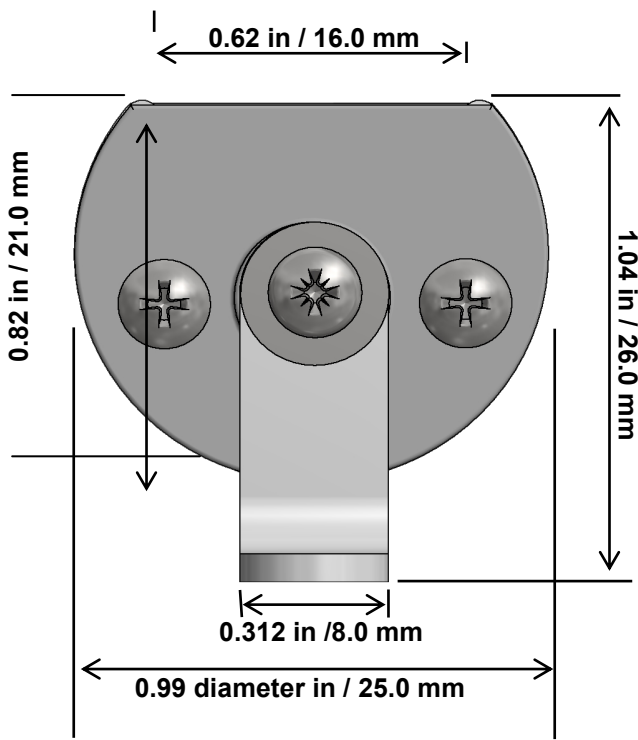
Lengths	6 Inch – 48 Inch Continuous Length (Custom Available)
Colors	WW / NW / CW /RGB
CRI	90
Lumens	581 lm
Wattage	6W per foot
Input Voltage	12 VDC 24VDC
View Angle	120 degrees
LED Spacing	0.5 Inch Center to Center
LED Type	T3
IP Rating	Indoor Standard IP67 Available
Lens	Clear Acrylic or Milky Lens

Benefits & Features

- Dimmable, DMX, Wi-Fi, RF Wireless.
- Low Power Consumption.
- Easy Installation and Low Maintenance.
- Custom Lengths and Unique Color.
- Sequencing Available.
- Indoor and Outdoor.

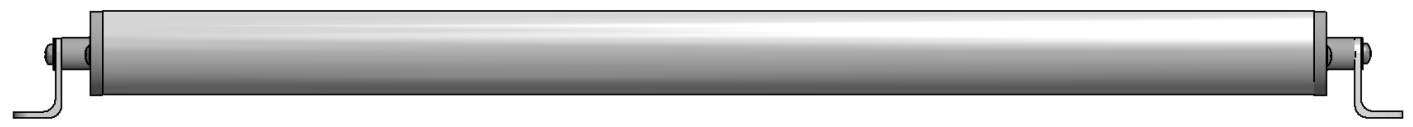
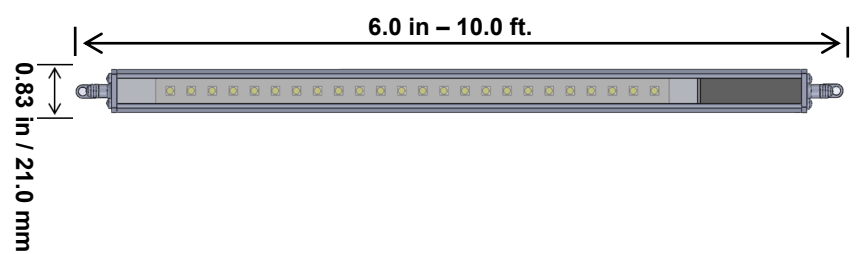
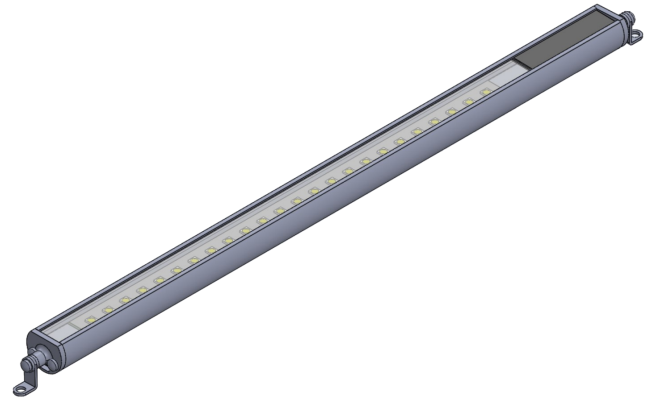


(305) 652-2599 | www.lumiron.com
20725 NE 16 AVE A-33 Miami, FL 33179
sales@lumiron.com



CASPER SC SERIES

TRX 100C BUILT IN MOTION SENSOR



--	--	--	--	--	--	--	--	--	--	--

Order Codes

SERIES	LENGTH	COLOR TEMP	LEDS	VOLTAGE	IP LISTING	LENS	MOUNTING
CASPER TRX 100C SERIES	6" - 10'	CW Cool White NW Neutral White WW Warm White SCL Single Color LED	24L T3 6W/FT	12 VDC 24VDC	IN Indoor EPX Outdoor	CL clear MK Milky	WS Wall Snap SV Swivel VR Velcro MG Magnet CS Custom Mounting

Order Examples

SERIES	LENGTH	COLOR TEMP	LEDS	VOLTAGE	IP LISTING	LENS	MOUNTING
CASPER	4'6"	WW Warm White	24L T3	24 VDC	IN Indoor	CL Clear	WS Wall Snap



(305) 652-2599 | www.lumiron.com
 20725 NE 16 AVE A-33 Miami, FL 33179
sales@lumiron.com