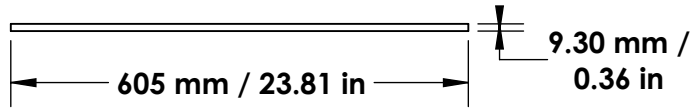
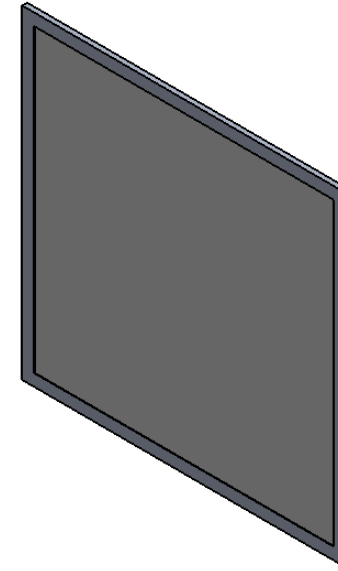


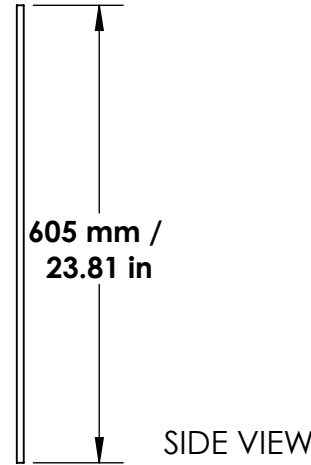
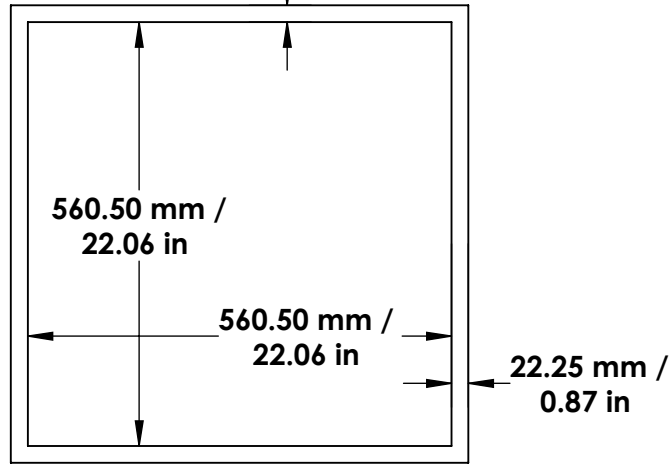
FRONT VIEW



ISOMETRIC VIEW



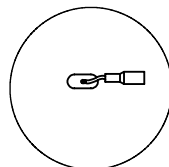
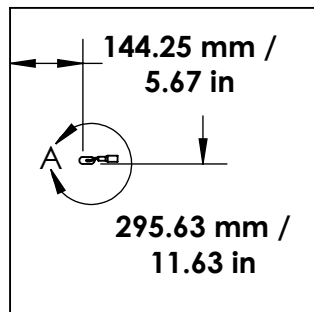
22.25 mm / 0.87 in



SIDE VIEW

TOP VIEW

ELECTRICAL COMP. LOCATION



DETAIL A

UNLESS OTHERWISE SPECIFIED:
 DIMENSIONS ARE IN MILLIMETERS
 SURFACE FINISH:
 TOLERANCES:
 LINEAR:
 ANGULAR:

FINISH:
 ALUMINUM
 POWDER COATED

DO NOT SCALE DRAWING

REVISION

	NAME	SIGNATURE	DATE	ALL DIMENSIONS ARE IN MM.
DRAWN	CABRAL		3/14/18	
CHK'D				
APPV'D				
MFG				
Q.A				MATERIAL:
				WEIGHT:



DWG NO.

Preston 2X2

SCALE:1:10

SHEET 1 OF 1