

# PRESTON DRIVER

## 7000 Series

# MOUNTING INSTRUCTIONS

MODEL NO.	PRESTON PANEL DIMENSIONS	INPUT VOLTAGE	OUTPUT			
			RATED CURRENT	VOLTAGE RANGE NON-DALI	VOLTAGE RANGE DALI	RATED POWER
7000-PS-4700	1' x 2'	12VDC	500mA	12-86VDC	24-86VDC	43W
7000-PS-4701	1' x 2'	24VDC	500mA	21-86VDC	36-86VDC	43W
7000-PS-4702	1' x 4' & 2' x 2'	12VDC	1050mA	12-43VDC	24-43VDC	45W
7000-PS-4703	1' x 4' & 2' x 2'	24VDC	1050mA	21-43VDC	36-43VDC	45W

### FEATURES:

- DC/DC step-up converter
- Constant current output: 350mA to 1050mA
- Wide output led string voltage up to 126V-DC
- High efficiency up to 95%
- PWM + analog dimming and remote ON/OFF control [(Blank) type or W type]
- DALI dimming[(Blank) DA type or WDA type]
- Short circuit Protections
- Over voltage Protections
- Under Voltage Protections

### SPECIFICATION:

- **Input:** 12VDC or 24VDC
- **Output:** 500 or 1050mA | 43 or 45W | 12-86VDC & 12-43VDC
- **PWM Dimming & ON/OFF Control**
  - Remote ON/OFF
    - ❖ Leave open if not used
    - ❖ Power ON with Dimming: PWM Signal >2-8VDC or open circuit, between PWM DIM and Dim-.
    - ❖ Power OFF PWM Signal <0.5VDC or short or PWM duty is equal to 0%, between PWM Dim and DIM-.
  - PWM Dimming Frequency: 1 K - 10 KHz
  - Quiescent Input Current in Shutdown mode: 7mA when PWM dimming OFF
- **Analog Dimming & ON/OFF Control**
  - REMOTE ON/OFF
    - ❖ Leave open if not used
    - ❖ Power ON with dimming: DC input >0.25~8VDC or open circuit, between Analog DIM and DIM-.
    - ❖ Power OFF DC input <0.2VDC or short, between Analog DIM and DIMNO
  - INPUT VOLTAGE RANGE: 0.25-1.3VDC
  - Quiescent Input Current in Shutdown mode: 7mA when Analog dimming OFF
- **Protection**
  - Short circuit: Power OFF and fuse open
  - Over Voltage (max.): 50-100V
- **Environment**
  - Working Temp: -40 to +70°C
  - Working Humidity: 20-90% (RH Non-Condensing)
  - Vibration: 10-500Hz, 2G 10min./1 Cycle
- **Dimensions:** L 5.71in x W 2.56in x H 2.17in

### Note:

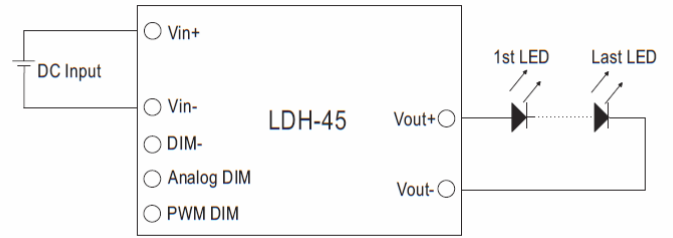
1. All parameters are specified at normal input (12VDC or 24VDC), rated load, 25°C 70% RH ambient.
2. (Blank) type and W type output voltage must step up by 3V from input DC voltage:
  - a. (Blank) DA type and WDA type output voltage must step up by 12V from input DC Voltage
3. Ripple & noise are measured at 20MHz of bandwidth by using a 12" twisted pair-wire terminated with a 0.1uf parallel capacitor.



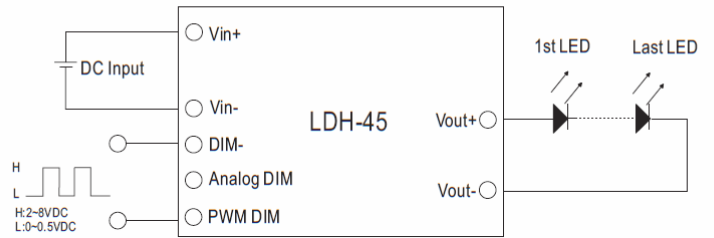
(305) 652-2599 | <https://lumiron.com>  
 20725 NE 16 AVE A-33 Miami, FL 33179  
[sales@lumiron.com](mailto:sales@lumiron.com)

**Electrical Installation**

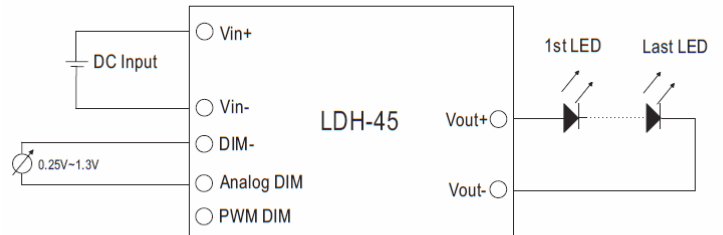
- **Operation without Dimming**



- **PWM Dimming Control (Non-DA type)**



- **Analog Dimming Control (Non-DA type)**

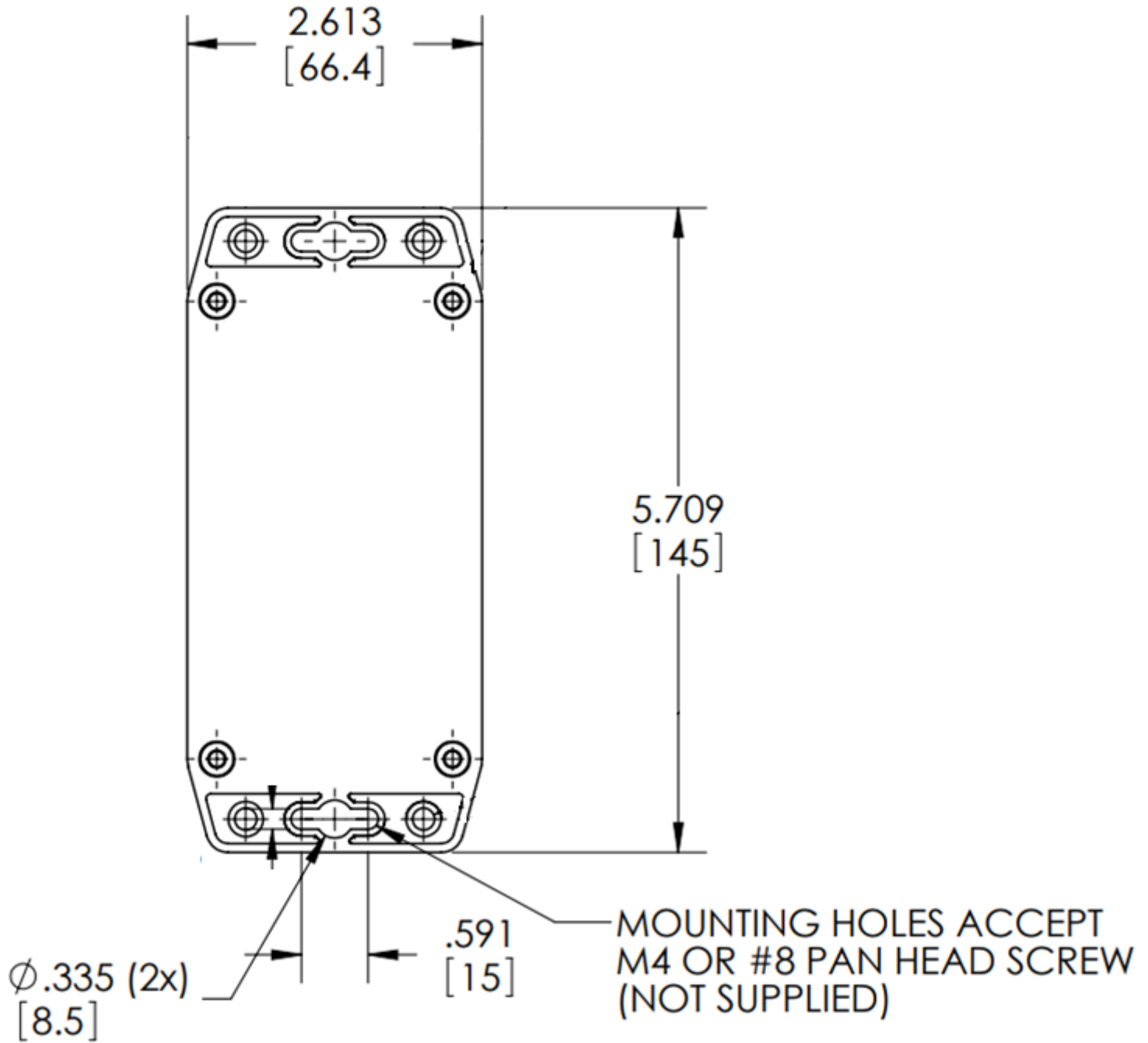


- **DALI Dimming Control (DA type only)**



**Mechanical Installation**

- Use suitable for the location and # 8 screws to secure the Driver thru the opening shown below.



**Application Notes:**

1. The positive and negative input terminals must be connected correctly and negative voltage cannot be input to avoid damage to the power supply.
2. Due to the large input current, please pay attention to the voltage drop of the wiring, to ensure the power supply to work properly.
3. When using the LEDs of different forward voltage, please pay attention to the min Load of DA-type to ensure that LED lights went out after DALI dimming off.